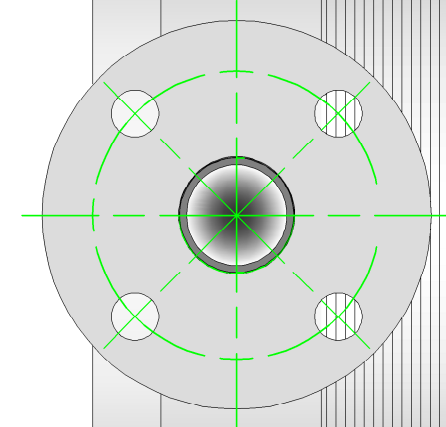
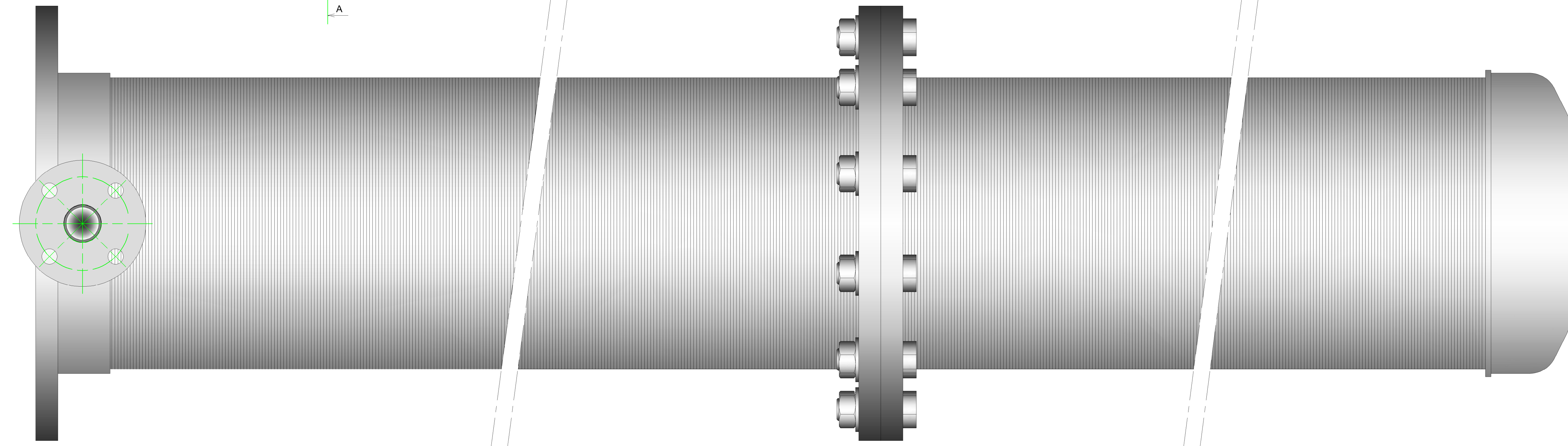
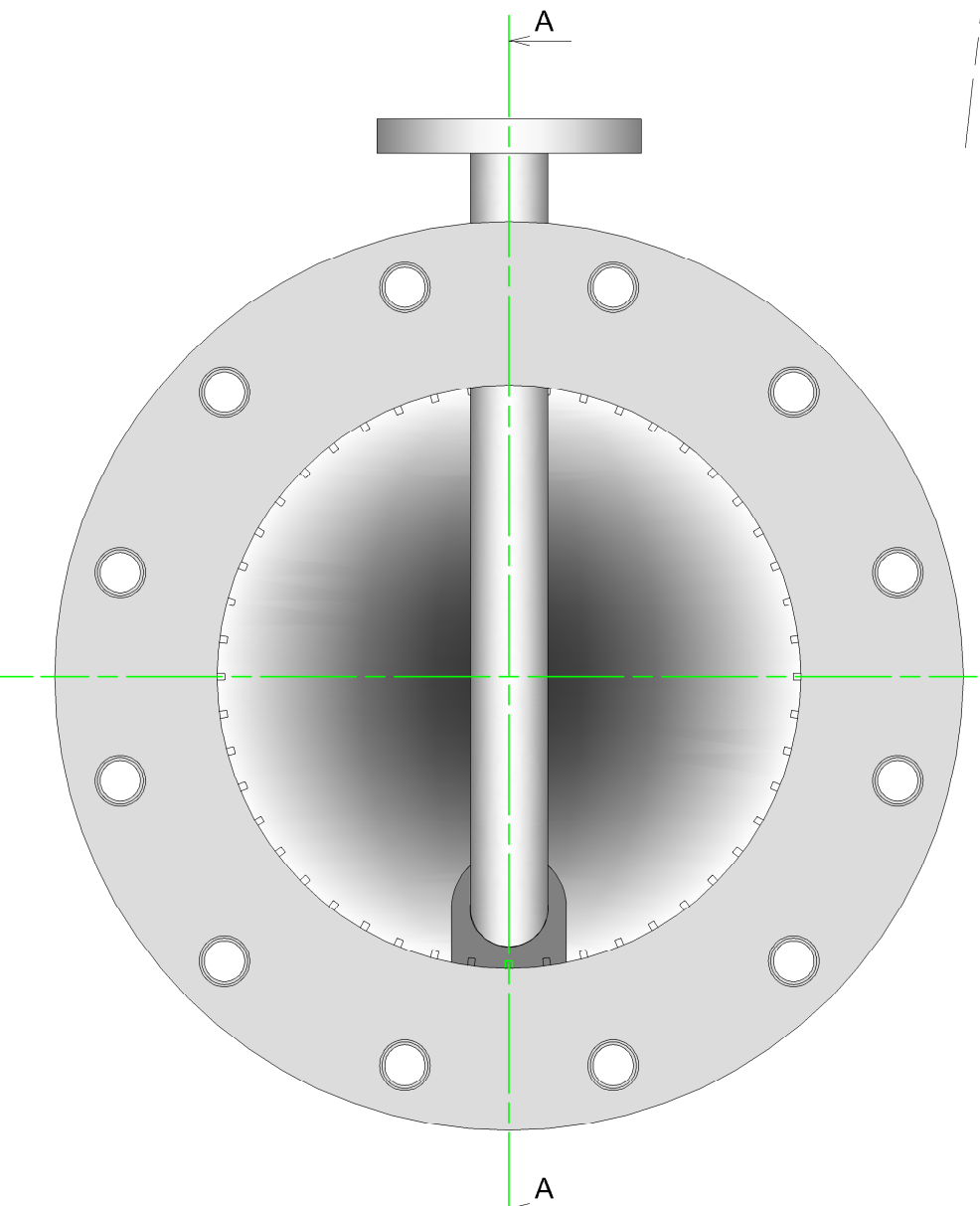
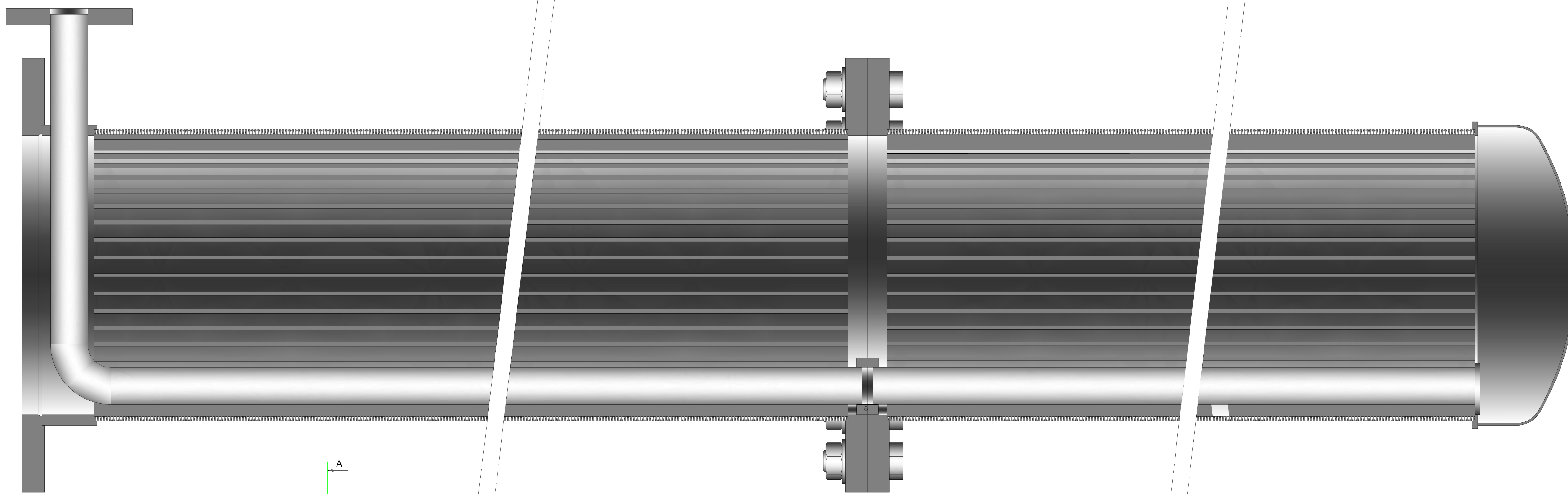


Do Not Scale - If in Doubt Ask



FOR APPROVAL

Sign.....

Date.....

Rev	Date	By	Description
-	-	-	-

Bespoke wedge wire products, industrial sieves and screens
Gaparator waste water screening machines & grilles and architectural mesh / products

Gap Technology

Tel: +44(0) 1777 710710 / Fax: +44(0) 1777 710810
 info@gaptechnology.co.uk
 www.gaptechnology.co.uk

Head offices & Works:
 Ava House, Hallcroft Road, Retford, Nottinghamshire DN22 7PT

Drawn by	Checked by	Date	Scale
-	-	-	-

Client

Drawing Title
GAP Wedge Wire Intake Filter

Please note:- This drawing is the sole property of Gap Technology Limited and has been prepared and issued in the condition it must not be copied, reproduced or disclosed, in full or in part, to any third party member without the prior written consent of Gap Technology Limited

Drawing No.	Revision	Sheet
GAP-1278	-	A1